



**High speed totalizing counter with backlighted display... maximum visual impact in a small package**

A compact totalizing counter module for printed circuit board or panel mounting. 8 digit, 8mm high, LCD display with backlight capability. An external lithium battery (not supplied), is normally used to support memory and counting. Current demand is typically 3µA quiescent, 6µA counting. Backlight requires additional current.

Count speeds to 10kHz are possible. An internal contact-bounce filter allows accurate counting from switch or relay contacts.

Electrical connections are made via rear pins which may be soldered to a host printed circuit board or connected by pin terminals. A remote electronic reset to zero is provided.

- 8 digit high contrast LCD characters
- 8mm high digit size
- Quiescent current less than 3µA
- Display backlight capability
- Remote reset input

An ideal choice where maximum display impact is wanted in a small area. Typical applications include test instruments, and cycle or event counting.

## SPECIFICATIONS

**Supply voltage:** 2.7 - 3.3VDC

**Current consumption:** 3µA quiescent, 6µA counting (typical); backlight 80mA

**Display:** 8 digit black LCD, 8mm characters with leading zero blanking

**Count Range:** 99999999 display rollover to 0

**Count Inputs:** *Low Speed:* contact closure/open collector, 30Hz maximum, negative edge triggered, 0.7v threshold, 25mS minimum pulse length;

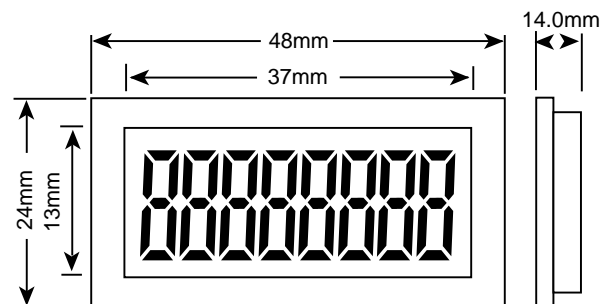
*High Speed:* TTL/CMOS compatible, 10kHz maximum, positive edge triggered, 0.7v threshold, 18v maximum, 50µS minimum pulse width

**Reset Input:** Contact closure/open collector, negative edge triggered, 0.7v threshold, 18V maximum, 15mS minimum pulse

**Operating temperature:** 0°C to +50°C

**Storage temperature:** -20°C to +70°C

### Dimensions:



Model Number	Description
07999F8-302	Totalizing Counter, unidirectional, display backlight