



Self-powered with high contrast Liquid Crystal Display . . . heavy duty diecast enclosure for base or panel mounting

Self contained lithium power source rated for 10 years typical life. Very easy installation and wiring – only two wires to connect. Perfect for piece and item counting, cycle counting, flow totalizing, and just about any other in-plant application. Series 7997's heavy duty, diecast base mount enclosure will bolt directly to machine frames, or even to a factory wall. Optional panel mount adapters can make it an attractive addition to any control panel.

- Heavy duty diecast construction
- Reliable, long-life design
- 6 digit, large LCD high contrast display
- Always on, requires no power connection – 10 year internal battery
- Instant reset to zero by side-mounted pushbutton
- Remote reset only models available
- Popular base mount configuration can replace similar electric counters
- Optional panel mount kits provide front-button, or lock & key reset
- Count speeds to 3000 counts per minute
- Accepts high voltage count pulse without adapters (AC/DC model)
- Switch input models count error-free from simple contact closures

Switch input models accept count signals from voltage-free switch or relay contacts. AC/DC models require no external adaptor to count from a wide range of signal voltage – 6 to 250 volts, AC or DC.

Switch Input Models: Maximum Count Speed: 3000 cpm (50 Hz)

Reset: Dependent on model, to zero by means of side-mounted pushbutton switch or remote contact

Connections: Wire leads, 12" length (305 mm)

Operating Temperature: 32° to 122°F (0° to 50°C)

Mounting: Base mount versions standard

Model No.	Description
0799716-010	Counter (base mount) with side button reset and AC/DC input
0799716-020	Counter (base mount) with side button reset and switch input
0799716-011	Counter (base mount) with remote reset and AC/DC input
0799716-021	Counter (base mount) with remote reset and switch input
0616361-001	Panel mount kit, lock & key reset for models 0799716-010 and 0799716-020
0616362-001	Panel mount kit, front panel button reset for models 0799716-011 and 0799716-021

For LED display, see Series 7995
For programmable features, see MAXjr Count 1

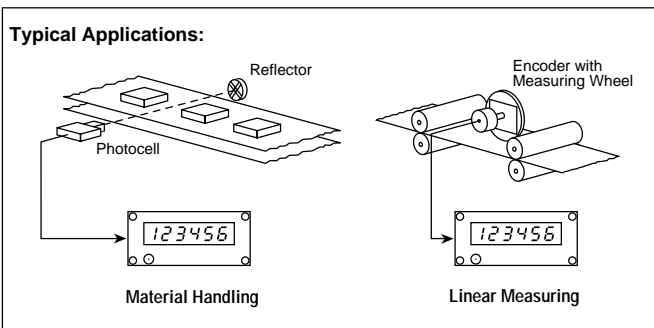
SPECIFICATIONS

Number of Decades: 6, leading zeros displayed

Display: 0.5" (12.7 mm) liquid crystal

Count Input Characteristics: Refer to models for count input type of specific models

AC/DC Input Models: Maximum Count Speed: 3000 cpm (50 Hz); Impulse Voltage: 6 to 250 VAC/VDC



Dimensions:

